

324A

COLD WEATHER



NASHUA® 324A
UL181 A & B-FX Approved
Cold Weather Premium Foil Tape

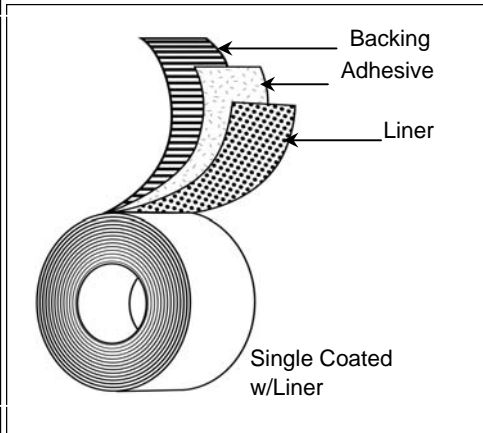
APPLICATIONS

- Recommended for use on UL listed fiberglass duct board and flexible duct systems in accordance with manufacturer's installation instructions
- Ideal for permanently flexible seals
- Meets UL 181A-P standards for use on fiberglass duct closure systems and UL 181B-FX standards for use on flexible duct closure systems

FEATURES & BENEFITS

- UL 181A-P and UL 181B-FX Listed
- High performance aggressive acrylic adhesive.
- Adhesive protected by a bleached kraft paper liner which also provides easy unwind
- Excellent adhesion to duct board.
- Provides long-term anchorage and strong cohesive bond for long-term durability.
- Superior adhesion even at extremely low or high temperatures.

CONSTRUCTION



PRODUCT DESCRIPTION

Single-Coated w/Liner Construction

Backing:

- 2.1 mil Aluminum Foil - Printed

Adhesive:

- Acrylic

Liner:

- Paper

Colors:

- Aluminum

TEST DATA

Test	Typical Value	Typical Value (Metric)	Test Method
Total Thickness	4.8 mils	121.92 μ	ASTM D-1000
Adhesion to Steel	68 oz./in.	7.44 N/cm	PSTC-1
Adhesion to Backing	60 oz./in.	6.57 N/cm	PSTC-1
Tensile Strength	23 lb./in.	40.28 N/cm	ASTM D-1000
Probe Tack	700 oz./in.	1225.89 N/cm	
Operating Temperature Range	-20F To 325F	-29C To 163C	
Installation Temperature Range	-10F To 200F	-24C To 93C	
Flame Spread	3		UL 723
Smoke Developed	0		UL 723

**Recommended storage conditions: 40-60% Humidity, 60°F-80°F

The information presented herein was prepared at BERRY PLASTICS CORPORATION (25 Forge Parkway Franklin, MA 02038) by qualified technical personnel. To Berry's knowledge it is true and accurate. However, the information and recommendations are furnished for these products with the understanding that the purchaser or user, as the case may be, will independently determine that the product is suitable for the intended use, and that such use complies with all applicable federal, state and local laws and regulations. The data are submitted only for the user's information and consideration, and do not constitute a warranty of any kind (including but not limited to a warranty of merchantability or of fitness for a particular purpose), or a representation for which BERRY PLASTICS assumes any legal responsibility.